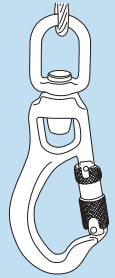


Karabiner Clip



You must now **fit the operating handle to the drive on the side of the unit**. Release the wing nut and slide the handle into the retainer, aligning the wing nut with the locating indent on the end of the handle.

All that remains is to **place the assembly over the opening**.

BASIC TECHNIQUES

Attach your harness to the main winch and the fall arrest unit. Connect each to a different attachment ring, do not attach both to the same attachment point.

Always ensure that the harness is in good condition. Have a colleague confirm that the harness has been correctly fitted, correctly attached to the winch and fall arrest unit and that tripod has been assembled correctly.

When attached and working **do not take any risks, work with the same caution you would use if you were not connected**.

To lower the user turn the winch handle clockwise, to raise the user turn the winch handle anti-clockwise.

Take your time and don't overdo it. You are more likely to have an accident if you are tired or rushing.

EQUIPMENT CARE

Never push the equipment beyond its design limits. If it is unsuitable for the task you are performing DO NOT USE OR RELY ON IT. Contact your local HSS Safe and Sure Depot for advice.

Keep the equipment clean - you will find this less of a chore if you clean it regularly, rather than wait until the end of the hire period.

When not in use, **store the equipment somewhere clean, dry and safe** from thieves.

FINISHING OFF

Disconnect the harness from the retriever then dismantle the unit by reversing the assembly instructions in 'GETTING STARTED'.

Place all the parts together, **and give the unit a final clean up ready for return, to your local HSS Safe and Sure Depot.**

Cleaning

The hirer has a duty of care to ensure the equipment is returned clean of any potentially harmful contaminants or body fluids. HSS may refuse to accept equipment that has not been suitably cleaned.

If A Fall Occurs

The retriever works on the same principal as a recoil car safety belt. The user can move up or down and the retriever will either give cable or retract the cable back automatically.

However, when a fall occurs, the retrievers breaking system will arrest the fall.

In addition to arresting a fall, the retriever has a built in retrieval system to raise or lower a person following a fall.

To use the retrieval facility simply pull and rotate the trigger ring pull to its lock out position. The Crank arm is now rotated and pushed in so as to engage the gears.

Rotate the trigger ring pull so that it aligns with the slot in the trigger body. The mechanism is fully engaged once the trigger ring pull has snapped back into said slot and the crank arm cannot be pulled out from the unit.

Note! The cable will not extract or retract automatically whilst the retrieval mechanism is engaged.

There is a break system, which automatically holds the cable when the handle is stationary.



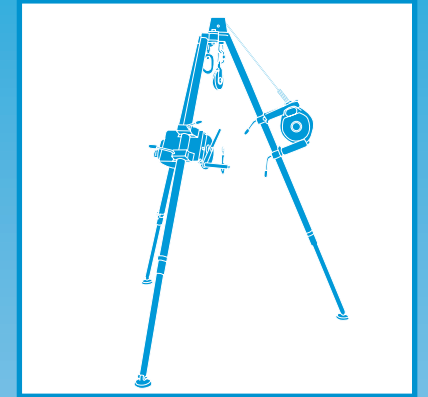
...any comments?

If you have any suggestions to enable us to improve the information within this guide please fax your comments or write to the Product Manager at the address below
Fax: 020 8687 5001

©HSS Hire Service Group Plc 2003 No. SS628/01

Group Office: 25 Willow Lane, Mitcham, Surrey CR4 4TS

Web Site: <http://www.hss.com/safeandsure>



Tripod Access System

Designed to safely lower a person into a manhole, shafts and other confined spaces.



GENERAL SAFETY

For advice on the safety and suitability of this equipment contact your local HSS Safe and Sure Depot.

There is a serious risk of personal injury if you do not follow all instructions laid down in this guide.

The hirer has a responsibility to ensure that all necessary risk assessments have been completed prior to the use of this equipment.



This equipment should only be used by an operator who has been deemed competent to do so by his/her employer.

This equipment may be used in a workplace subject to a permit to work.


It is the hirer's responsibility to ensure that the equipment's technical specification meets the requirements of any such permit to work prior to starting work. For further technical information contact your local HSS Safe and Sure Depot.

This equipment should be used by an able bodied, competent adult who has read and understood these instructions. Anyone with either a temporary or permanent disability, should seek expert advice before using it.

Keep children, animals and bystanders away from the work area. Cordon off a NO GO area using cones, barriers or tape, available for hire from your local HSS Safe and Sure Depot.

  Never use this equipment if you are ill, feeling tired, or under the influence of alcohol or drugs.

Wear sensible, suitably protective clothing and footwear plus any safety wear appropriate to the work in progress. Avoid loose garments and jewellery that could catch in moving parts. Tie back long hair.

 A safety harness is required with this equipment, available for sale from your local HSS Safe and Sure Depot.

Before use check that the hook/safety catch is engaged and the load cable/lanyard is untangled, hanging freely and shows no sign of damage.

This equipment MUST NOT be used as an anchorage point for suspending loads.

Make sure you know how to operate this equipment safely and are aware of its limitations before you use it.

Remember that this equipment does not guarantee life protection but if used correctly it will help provide a safer environment to work in.

Ensure the work area is well lit and ventilated, if in doubt, ask about lighting and ventilation equipment at your local HSS Safe and Sure Depot.

Make sure that anyone in the immediate work area is warned of what you are doing.

Check the condition of the equipment before use. If it shows signs of damage or excessive wear, return it to your local HSS Safe and Sure Depot.

RISK ASSESSMENT

The following pointers are for additional guidance and are not the only checks to be made in the assessment. If in any doubt, consult a fully qualified health and safety officer.

This equipment must only be used on flat surfaces, capable of taking the equipment's weight without a tripod leg subsiding.

Make a clear disaster plan, of how the user will be retrieved, should a fall occur. It is all very well using a fall arrest system, but if the user does fall he/she must be lowered to the ground.

The anchor is designed for one-man use only to a maximum load of 136Kg.

Having carried out a risk assessment and confirmed that this equipment is safe to use for your particular task, you can begin to set the unit up.

GETTING STARTED

Sweep any loose chippings or debris clear of the area where the tripod is to be set-up.

Check that all parts are present and in good condition.

Raise the folded tripod upright on the floor. Swing both outer legs around to form the tripod and lock both in position with the spring loaded lock pins. To release the legs for folding, pull the lock pin up and swing the leg back. Lay the tripod on its side and fully extend the three leg extensions. To do this, remove the interlock clip, extend each leg to its maximum length and reinsert the clip.

You can now raise the tripod upright.

Next, attach the fall arrest retriever unit to the tripod.

Remove the lock nut, turn the retriever upside-down and slide the unit onto the captive bolt on the lower mounting bracket. Replace the lock nut ensuring it is tightened securely.

Next, lower the top mounting bracket over the retriever and secure in place by turning the lock bar clockwise.

Having satisfied yourself that the retriever is correctly positioned and secured, feed the cable over the top of the tripod and onto the captive centre wheel.

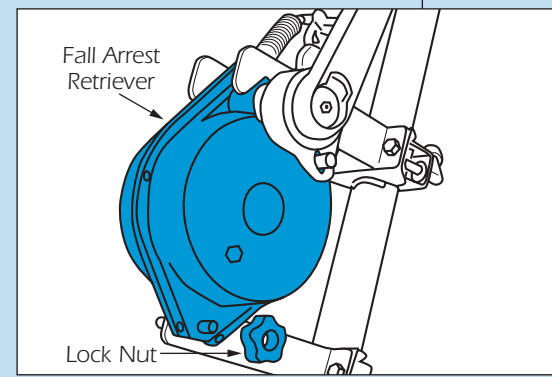
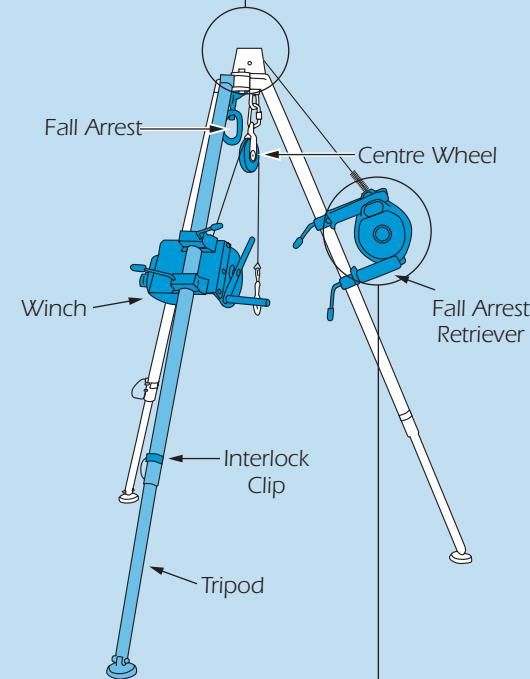
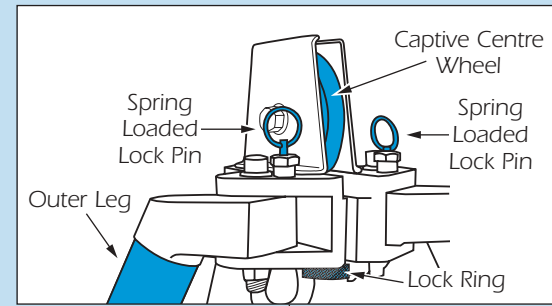
If necessary, turn the lock ring anticlockwise to open the cable feed channel. Feed the cable down through the middle of the tripod centre and hold captive by turning the lock ring clockwise. Don't forget to close the cable feed channel.

The main lower and raise winch is already fitted to one of the tripod legs and only requires feeding of the cable.

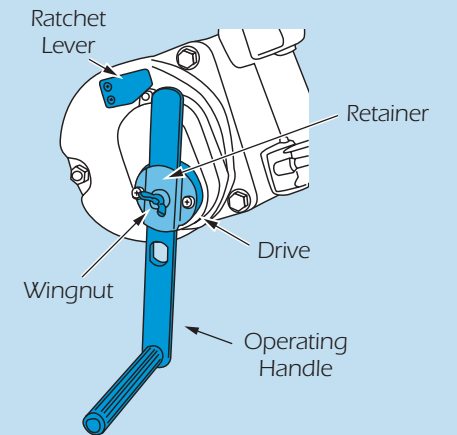
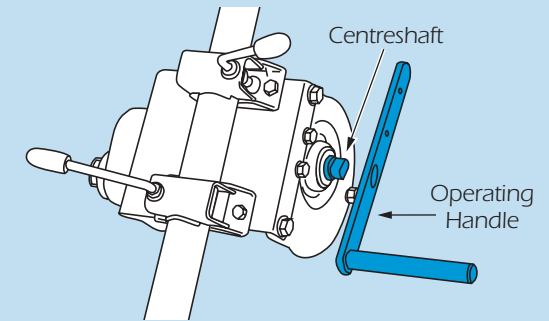
Remove the operating handle from the unit. Push the ratchet lever towards the stop to permit the withdrawal of approximately two metres of cable.

Note that the operating handle can be fitted to the units central shaft for quick retrieval of the cable when NOT connected to a load.

Tripod Access System



Main Winch



Next, feed the cable around the centre wheel. Simply remove the karabiner clip and remove the wheel assembly. Open the wheel assembly by turning the side plated in opposite directions, feed the cable over the wheel and close the side plates. Replace the assembly ensuring the karabiner clip is securely fitted.

Centre Wheel

